

## Information models in today's plants

**Christian DIEDRICH**

Convenor des  
groupes IEC SC65E et WG4 & 7

Ifak Magdeburg

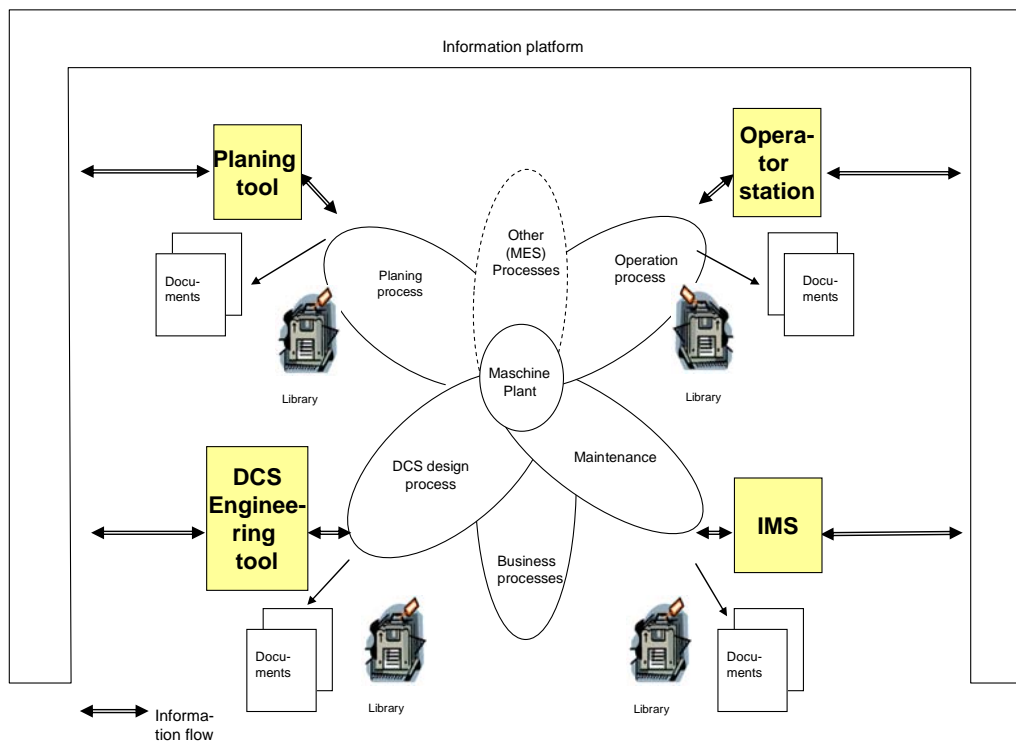
Steinfeldstr. 3

D-39179 Barleben – Germany

christian.diedrich@ifak.eu

**Mots clés** : Information model, life cycle, engineering process, software tools.

Today the reduction of engineering costs is a matter of strong interest. The plants and machines have a life cycle with engineering as well as the operation and maintenance phases. Each phase represents a special task in the life cycle with its own technical and organisational tasks. However all phases contribute to the design, construction, installation, commissioning, operation and maintenance of the particular machine or plant. Looking at the state-of-the-art shows that nearly all phases of the engineering process are supported by software tools. Resulting from the separate history of the tools and special tasks in the life cycle, the interaction between the tools are not yet well supported. From the IT perspective, each task and tool has its own information model. The interactions between the tools need interfaces where the information can be exchanged. These models and interfaces are today a matter of industrial, research and standardisation activities.



*The current state is reviewed and fields of potential activities are suggested.*